

C300R

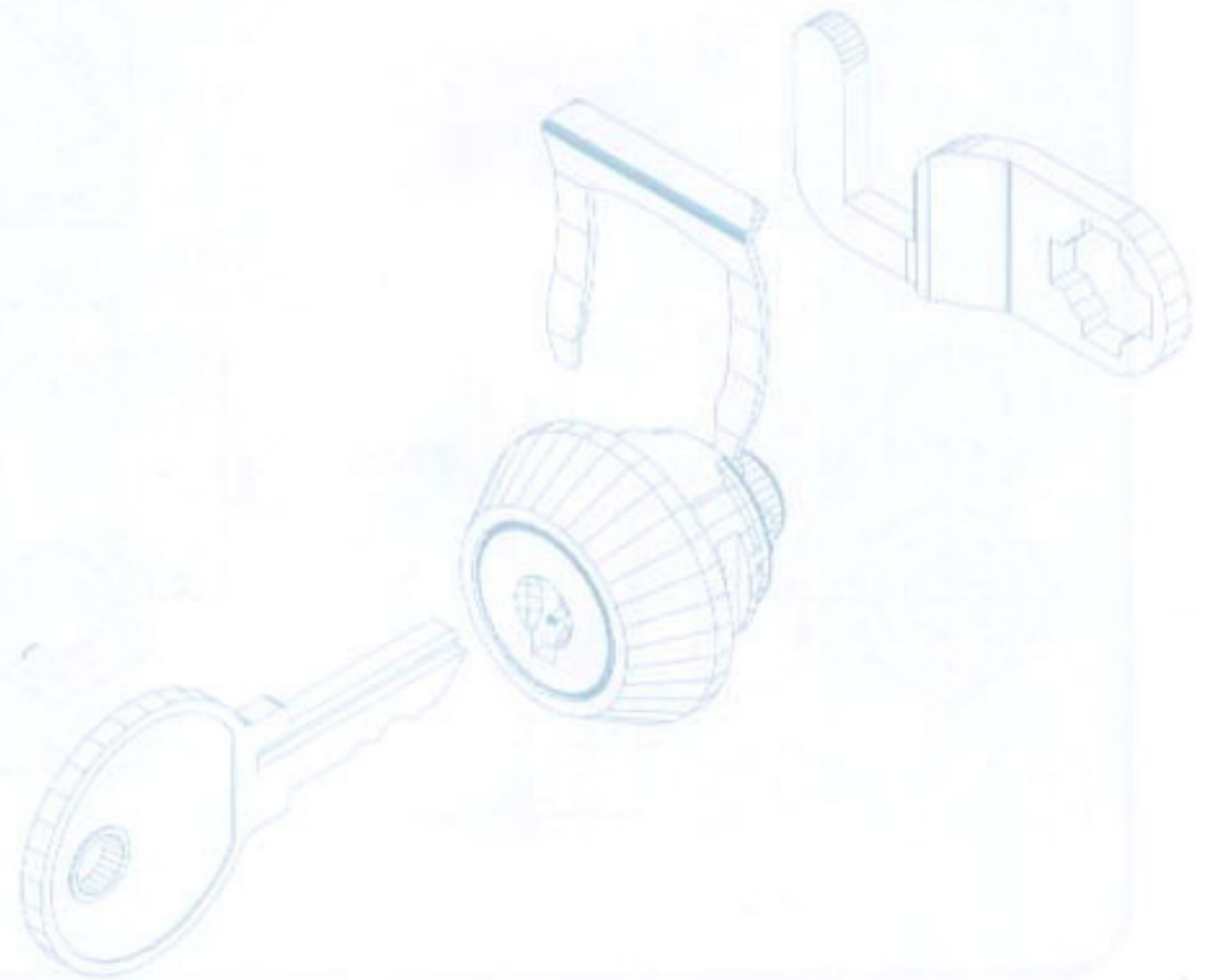
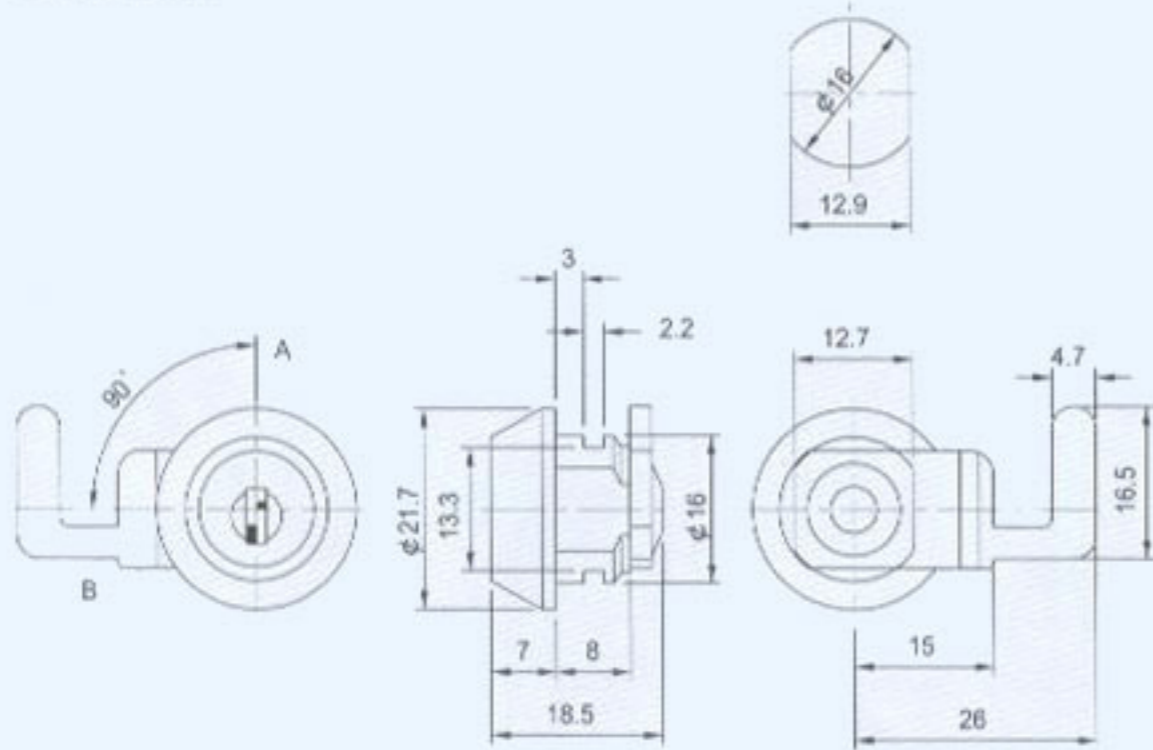


DESCRIPTION

- . Zinc alloy die cast housing and cylinder.
- . Bright chrome plated standard.
- . 4 disc tumbler mechanism.
- . Brass keys, nickel plated.
- . Key may be withdrawn in one or both positions.
- . Various cam configurations and rotations available.
- . Cam is affixed by fixed.
- . Speed clip mounted.
- . 5 Combinations available.

Unit: mm

Recommended hole size



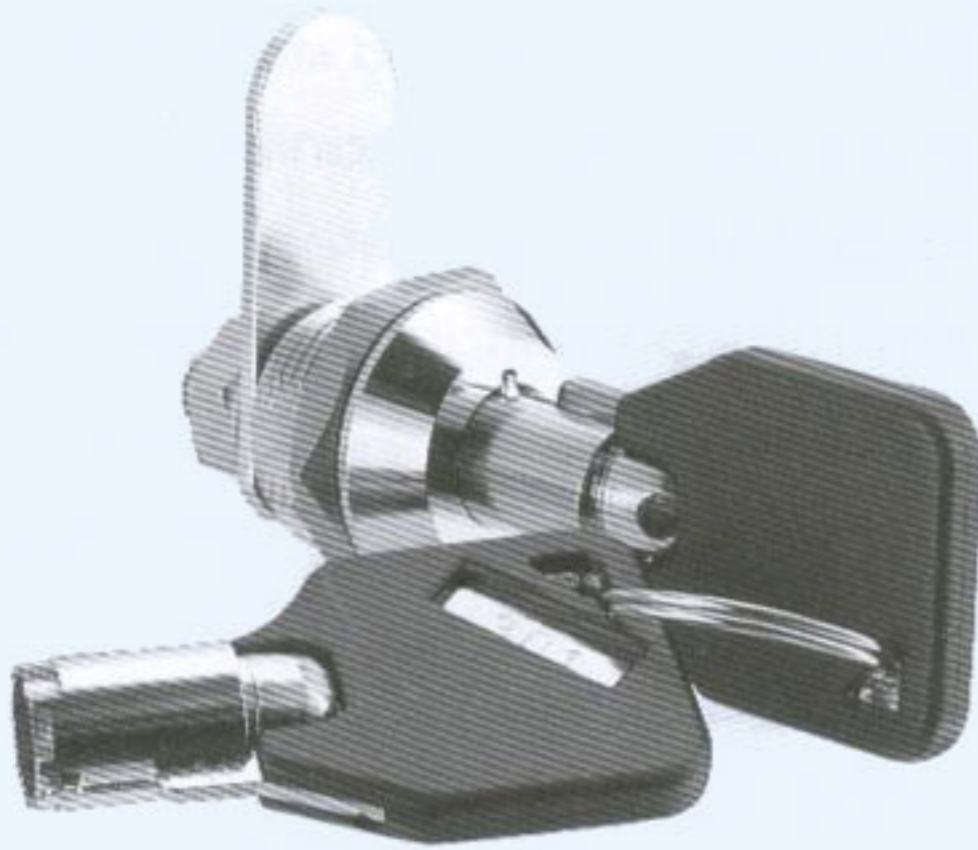
■ -INDICATES KEY-PULL

● -INDICATES NO KEY-PULL



Fig No	Lock Number	Positions	Key Pulls	Turn
1	C300R-1	2	1	90°
2	C300R-2	2	2	90°

C310

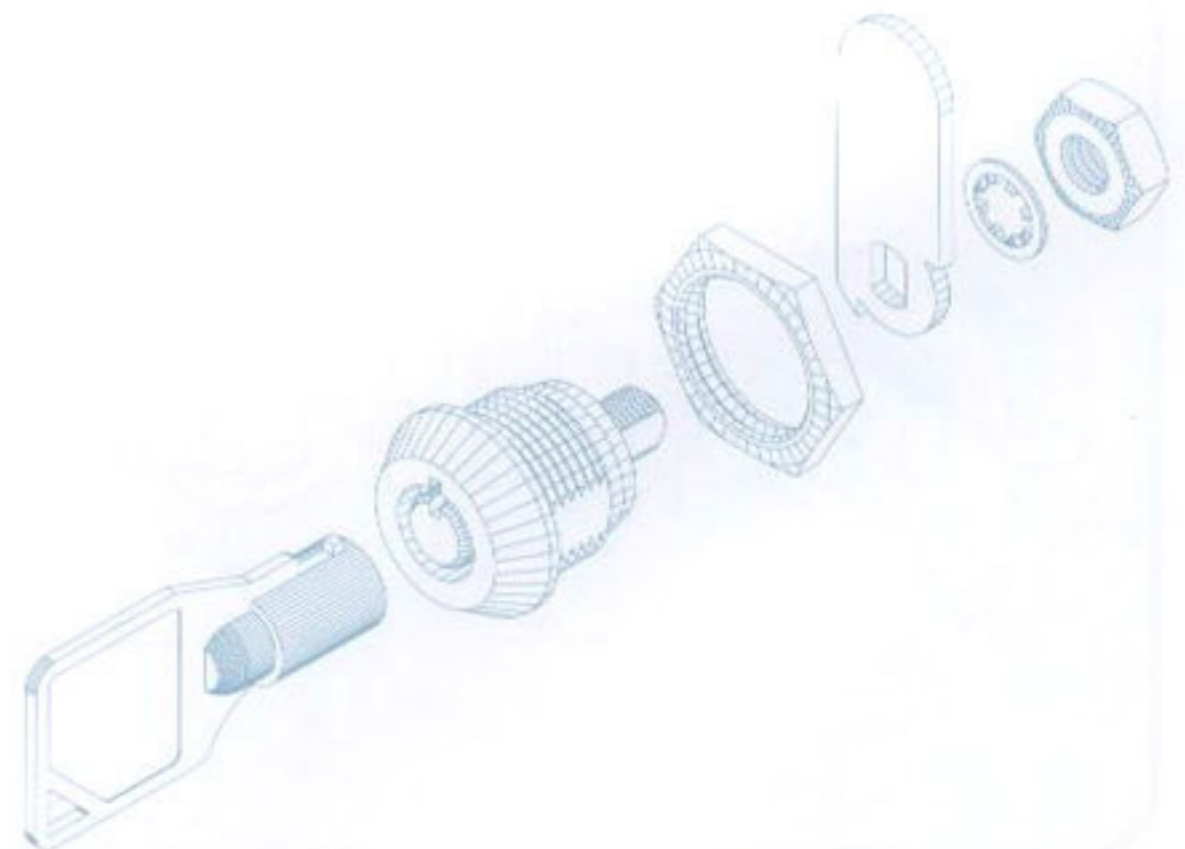
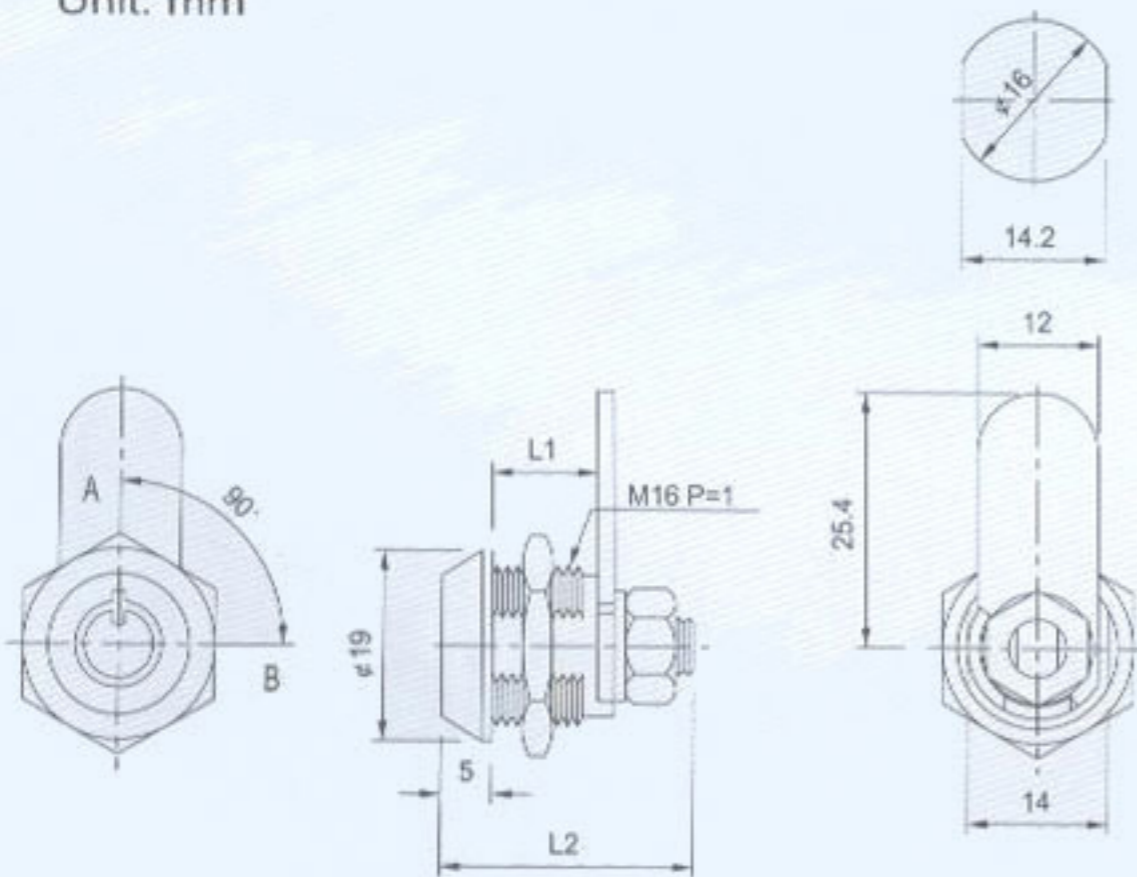


DESCRIPTION

- . Brass housing and cylinder.
- . Bright chrome plated standard.
- . 7 pin tumbler mechanism.
- . Steel made tubular keys, nickel plated, with plastic cover.
- . Key may be withdrawn in one or both positions.
- . 3 sizes available.
- . Various cam configurations and rotations available.
- . Cam is affixed by nut.
- . Hex nut mounted.
- . All keyed alike or one combination per 100pcs standard.
- . 10000 combinations available.

Unit: mm

Recommended hole size



■ -INDICATES KEY-PULL

● -INDICATES NO KEY-PULL



Fig.1

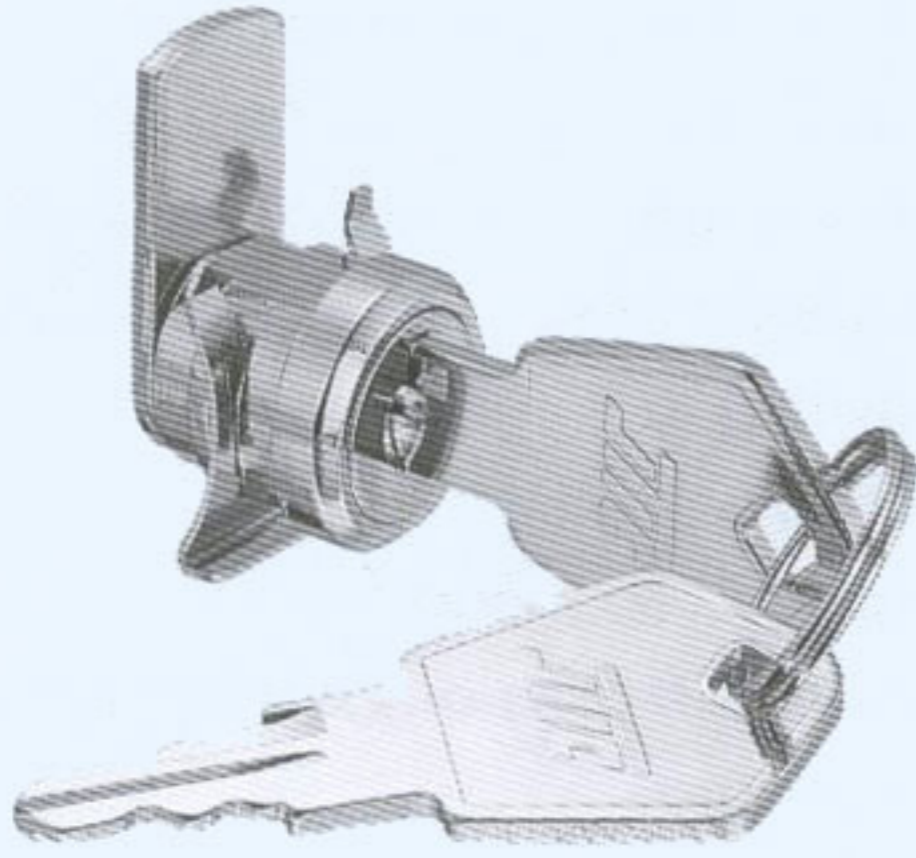


Fig.2

FigNo	LockNumber	Positions	KeyPulls	Turn
1	C310-1	2	1	90°
2	C310-2	2	2	90°

Sizes	L1	L2
S	10.5	25
M	13	27.5
L	16	30.5

C311

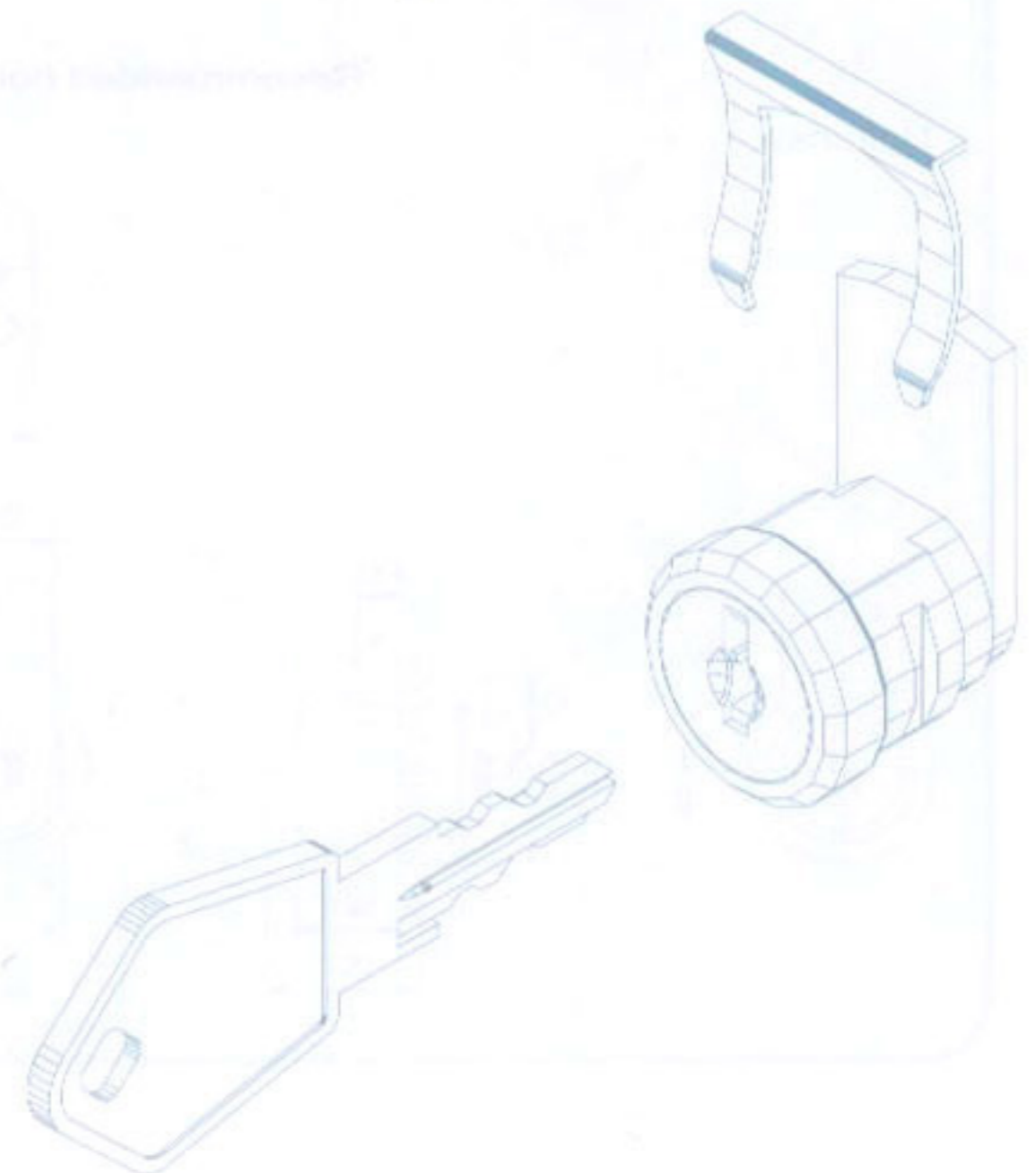
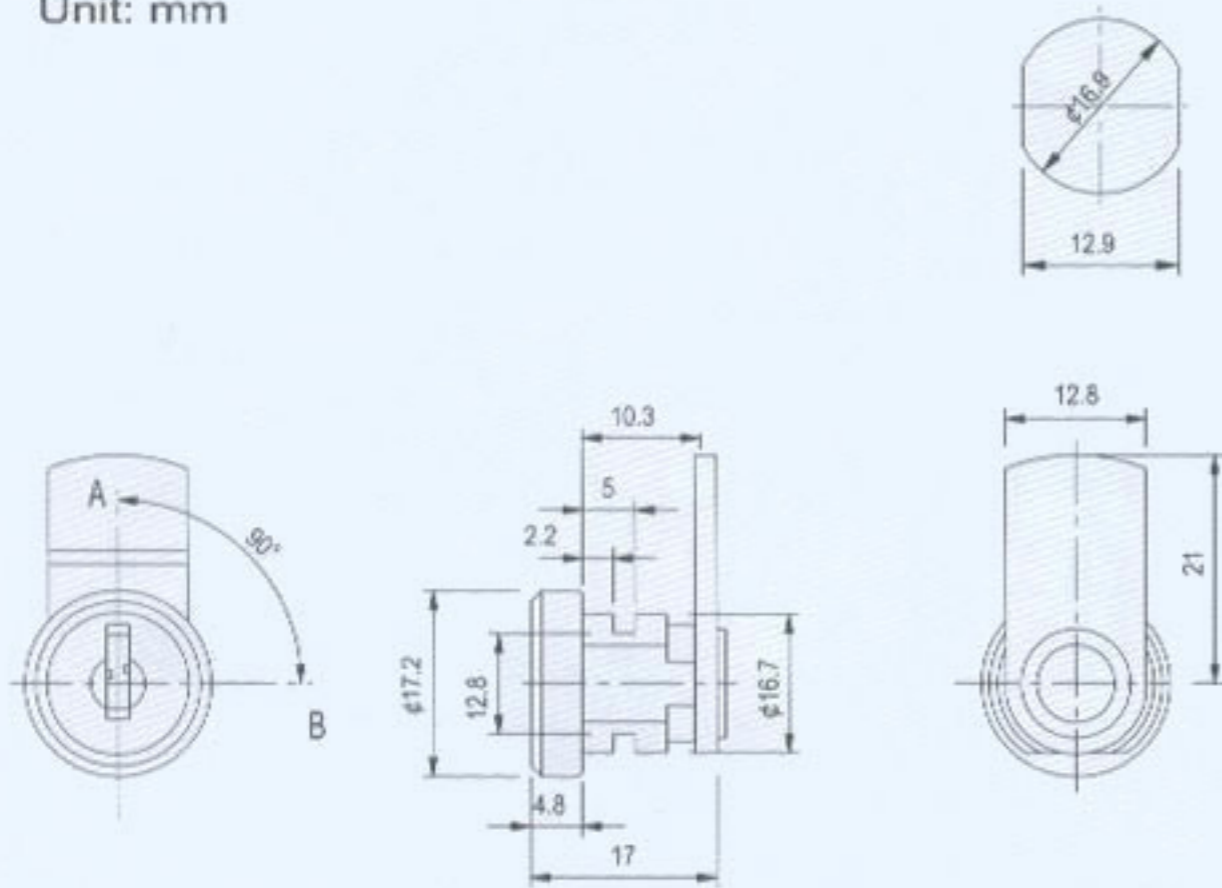


DESCRIPTION

- . Zinc alloy die cast housing and cylinder.
- . Bright chrome plated standard.
- . 4 disc tumbler mechanism.
- . Reversible double-bitted brass keys, nickel plated.
- . Key may be withdrawn in one or both positions.
- . Various cam configurations and rotations available.
- . Cam is fixed.
- . Speed clip mounted.
- . All keyed alike or one combination per 100pcs standard.
- . 50 combinations available.

Unit: mm

Recommended hole size



■ -INDICATES KEY-PULL

● -INDICATES NO KEY-PULL



Fig.1



Fig.2

FigNo	LockNumber	Positions	KeyPulls	Turn
1	C311-1	2	1	90°
2	C311-2	2	2	90°

C312

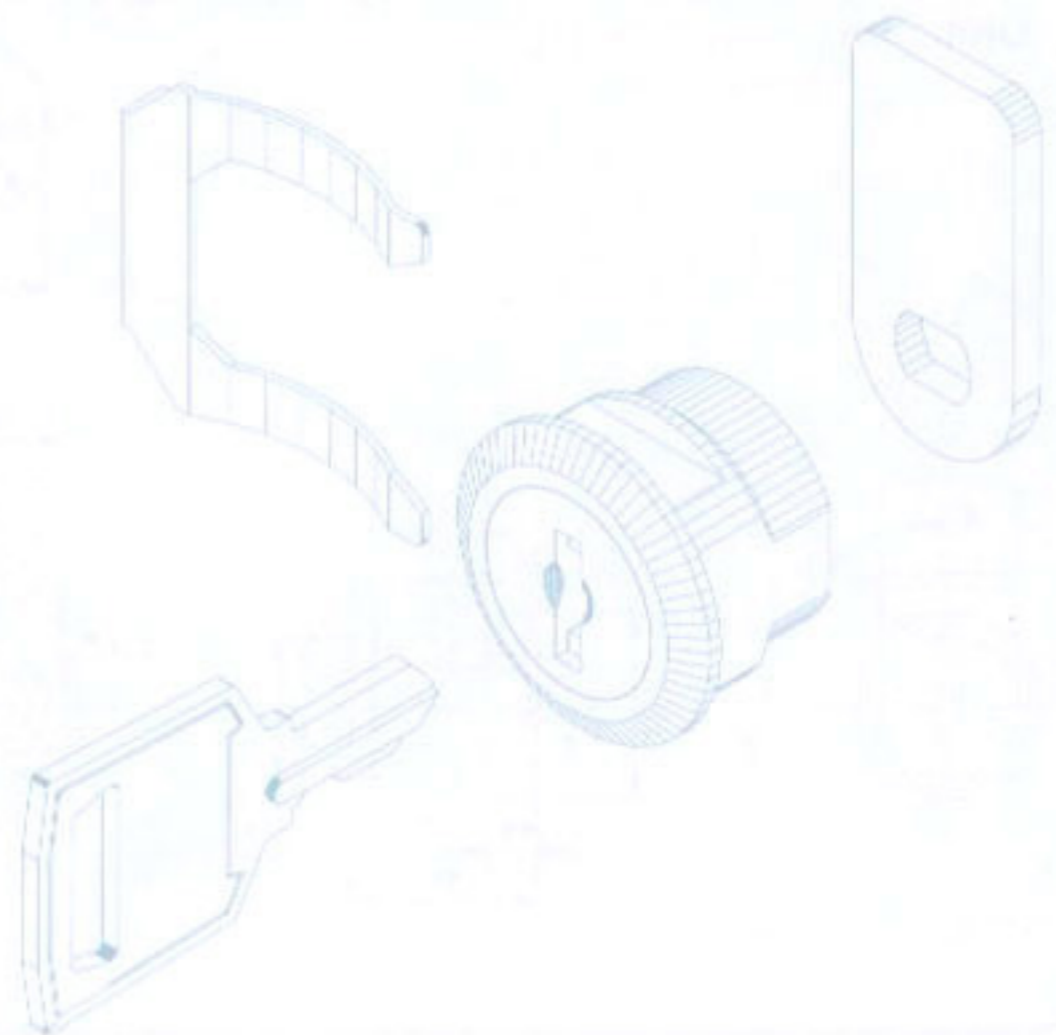
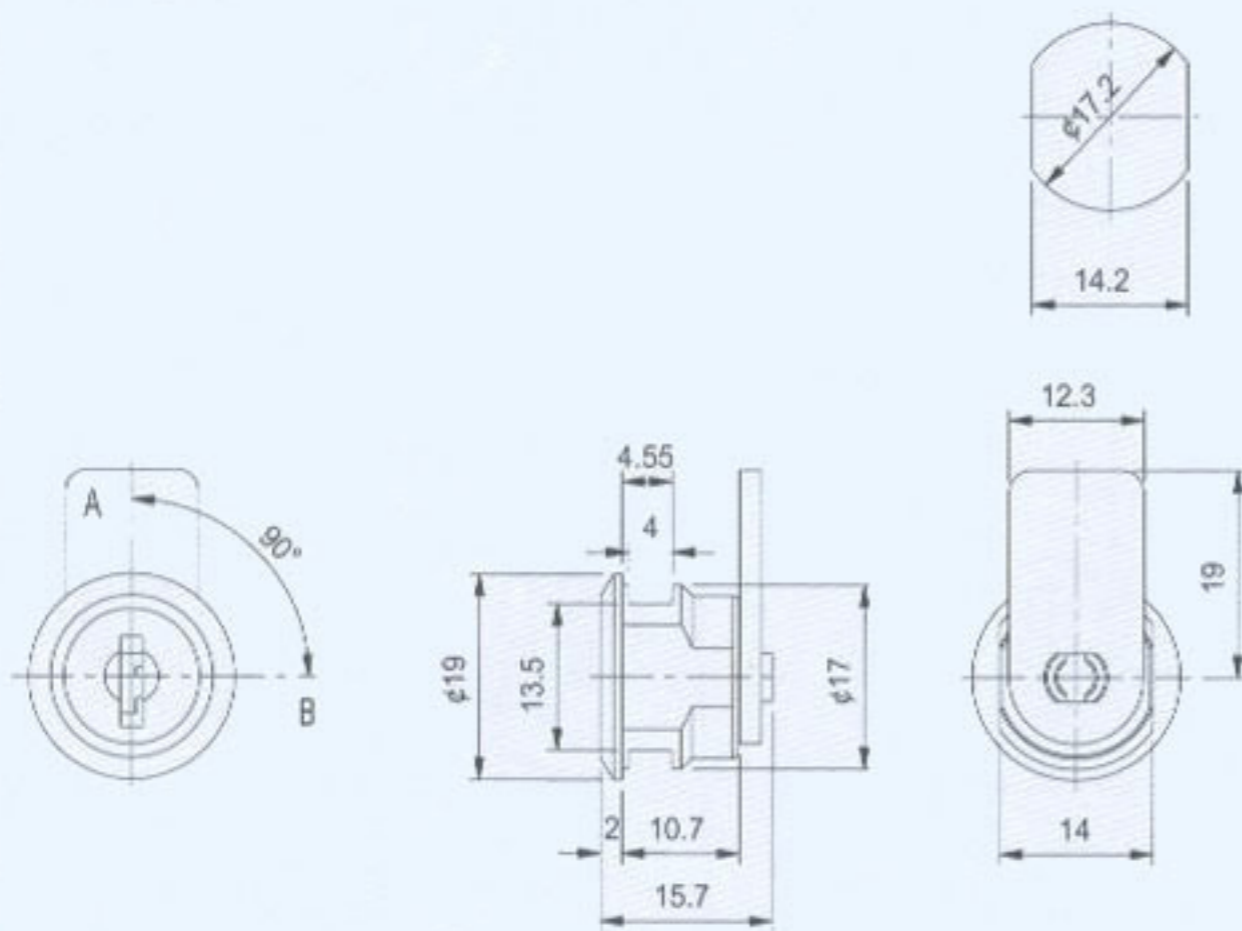


DESCRIPTION

- . Zinc alloy die cast housing and cylinder.
- . Bright chrome plated standard.
- . 3 disc tumbler mechanism.
- . Brass keys, nickel plated.
- . Key withdrawals in both positions only.
- . Various cam configurations and rotations available.
- . Cam is fixed.
- . Speed clip mounted.
- . All keyed alike or 4 combinations standard.
- . 4 combinations available.

Unit: mm

Recommended hole size



■ -INDICATES KEY-PULL

● -INDICATES NO KEY-PULL



Fig.1

Fig No	Lock Number	Positions	Key Pulls	Turn
1	C312-2	2	2	90°

C327

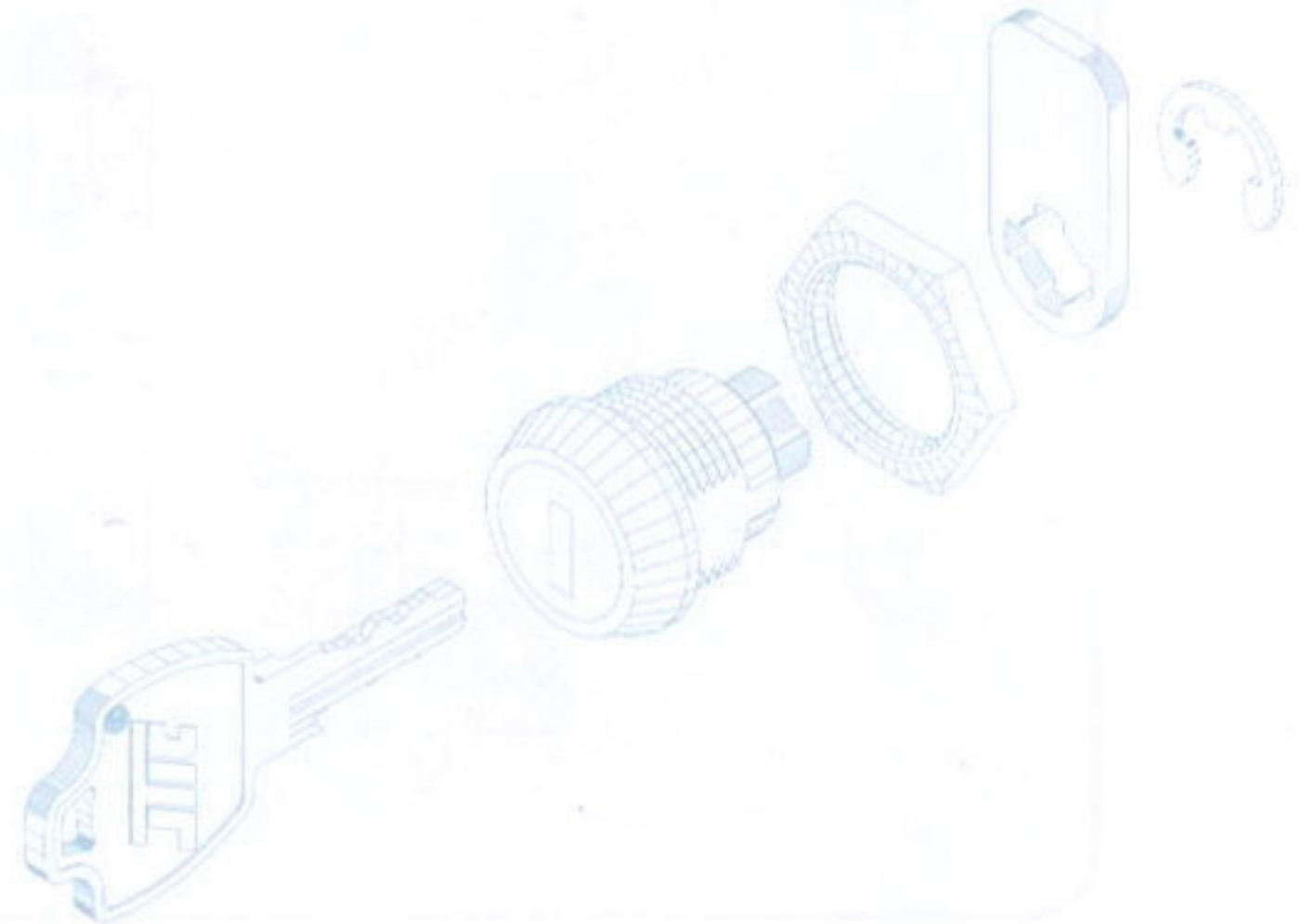
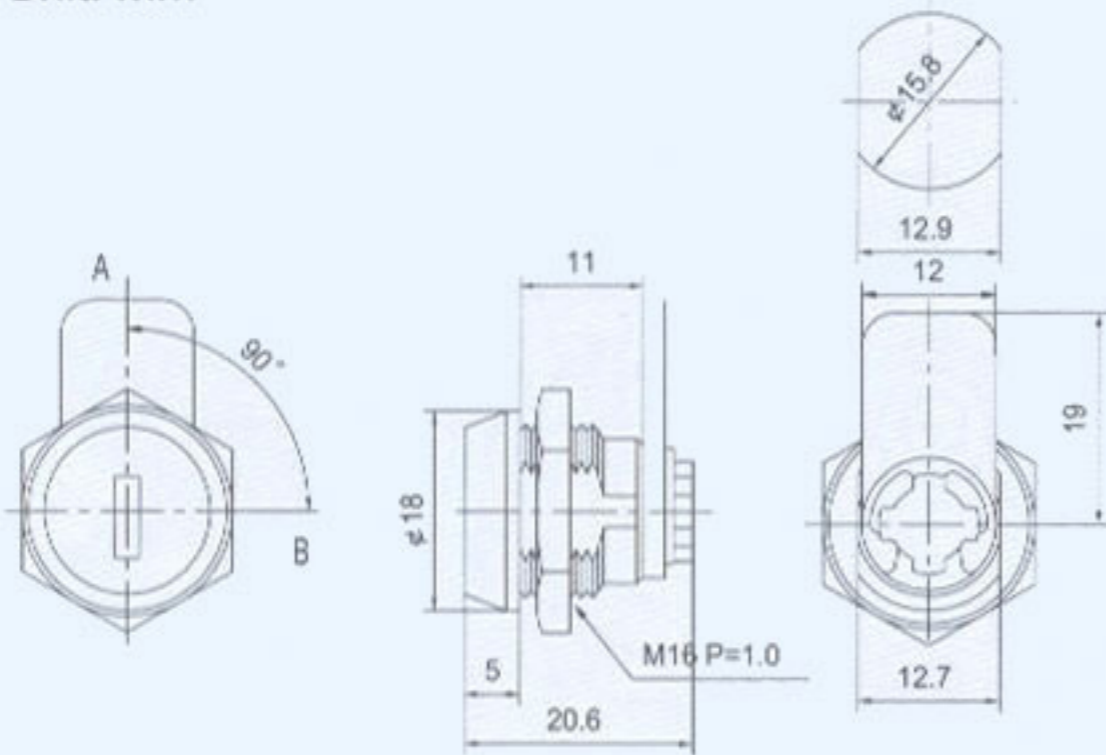


DESCRIPTION

- . Zinc alloy die cast housing and cylinder.
- . Dust shutter mechanism.
- . Bright chrome plated standard.
- . 5 disc tumbler mechanism.
- . Reversible double-bitted brass keys, nickel plated.
- . Key may be withdrawn in one or both positions.
- . Various cam configurations and rotations available.
- . Cam is fixed.
- . Hex nut mounted.
- . All keyed alike or 25 combinations standard.
- . 100 combinations available.

Unit: mm

Recommended hole size



■ -INDICATES KEY-PULL

● -INDICATES NO KEY-PULL



Fig.1



Fig.2

Fig No	Lock Number	Positions	Key Pulls	Turn
1	C327-1	2	1	90°
2	C327-2	2	2	90°

C328

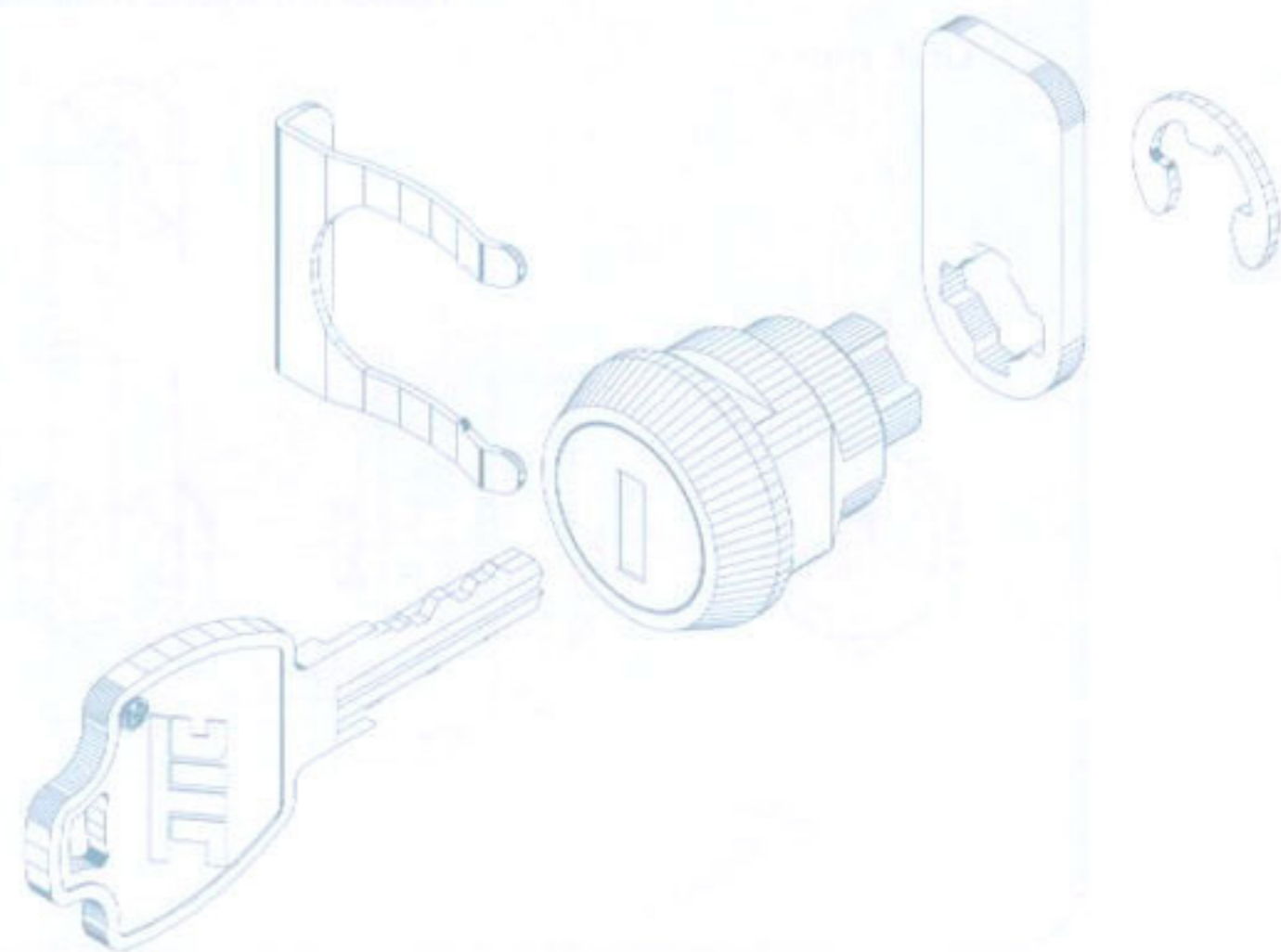
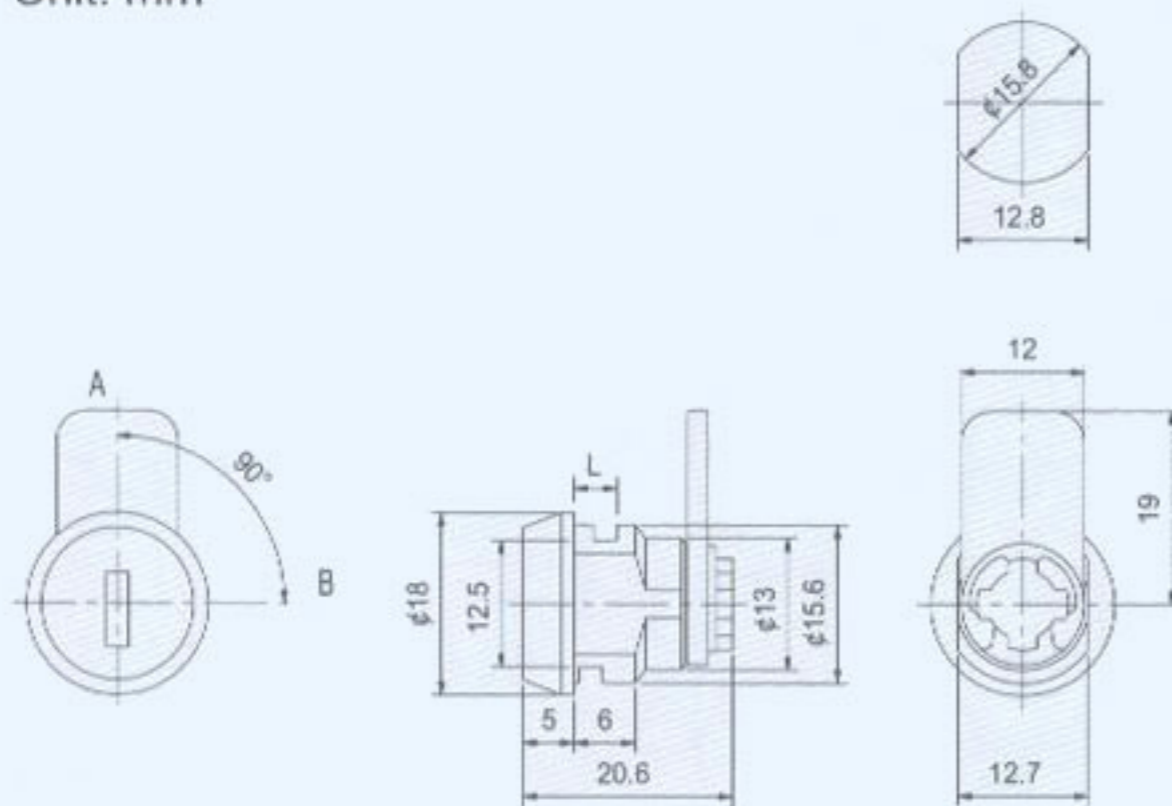


DESCRIPTION

- . Zinc alloy die cast housing and cylinder.
- . Dust shutter mechanism.
- . Bright chrome plated standard.
- . 5 disc tumbler mechanism.
- . Reversible double-bitted brass keys, nickel plated.
- . Key may be withdrawn in one or both positions.
- . Various cam configurations and rotations available.
- . 2 style clip slot locations available.
- . Cam is fixed.
- . Speed clip mounted.
- . All keyed alike or 25 combinations standard.
- . 100 combinations available.

Unit: mm

Recommended hole size



■ -INDICATES KEY-PULL

● -INDICATES NO KEY-PULL



Fig.1



Fig.2

Fig No	Lock Number	Positions	Key Pulls	Tu
1	C328(R)-1-28	2	1	90°
1	C328(R)-1-42	2	1	90°
2	C328(R)-2-28	2	2	90°
2	C328(R)-2-42	2	2	90°

Lock Number	L
C328(R)-1/2-28	2.8
C328(R)-1/2-42	4.2